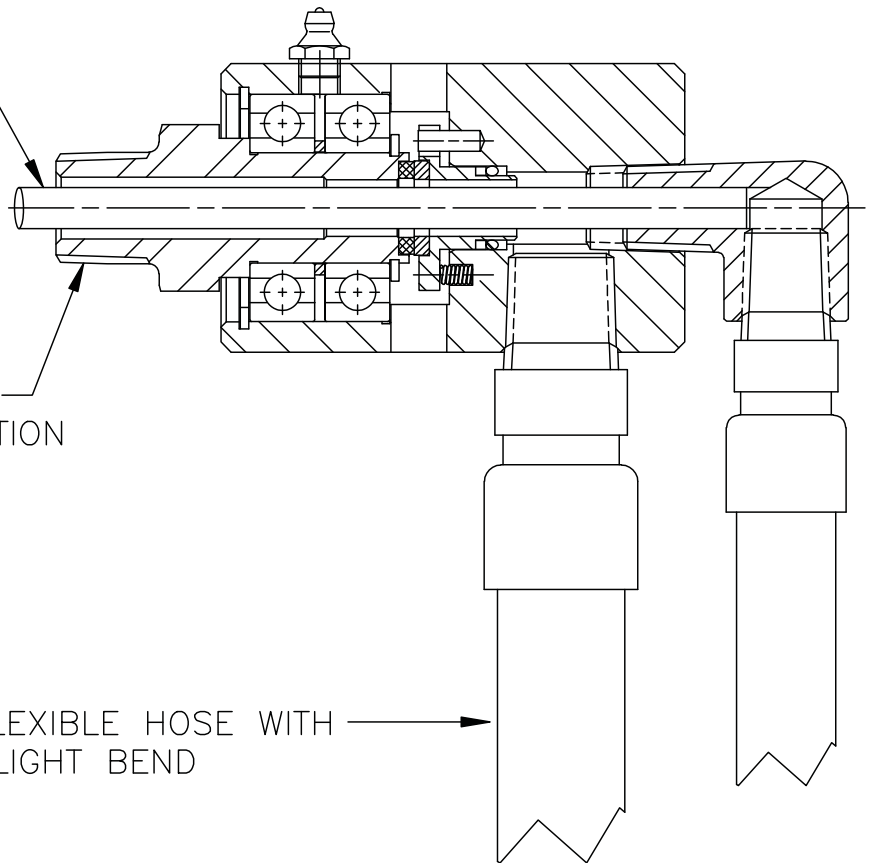


INSTALLATION GUIDE - SERIES 031

CUSTOMER SUPPLIED
PIPE OR TUBE

CONNECT TO SPINDLE
AFTER HOSE INSTALLATION

FLEXIBLE HOSE WITH
SLIGHT BEND



NOTE:

1 – CONTACT ROTARY SYSTEMS
FOR GREASE INSTRUCTION.

PROPER USE AND MOUNTING INSTRUCTIONS

1. Connect all fittings to housing prior to installation.
 - Do not use rigid piping as this will compromise the life of the union.
 - The hose should be flexible and have a slight bend.
 - Extreme bends can reduce the flexibility of the hose.
 - The rubber hose selected should be able to safely handle the working pressure.
 - The hose should be properly supported & should not side load the union.
2. Connect male NPT thread to machine using Teflon tape or connect straight thread using the gasket or o-ring provided.
3. Attach your preferred method of anti-rotation, such as a fork around the fitting. Anti-rotation must allow the union to find its center. Do not hard mount both the rotor and housing of the union.



ROTARY
SYSTEMS INC