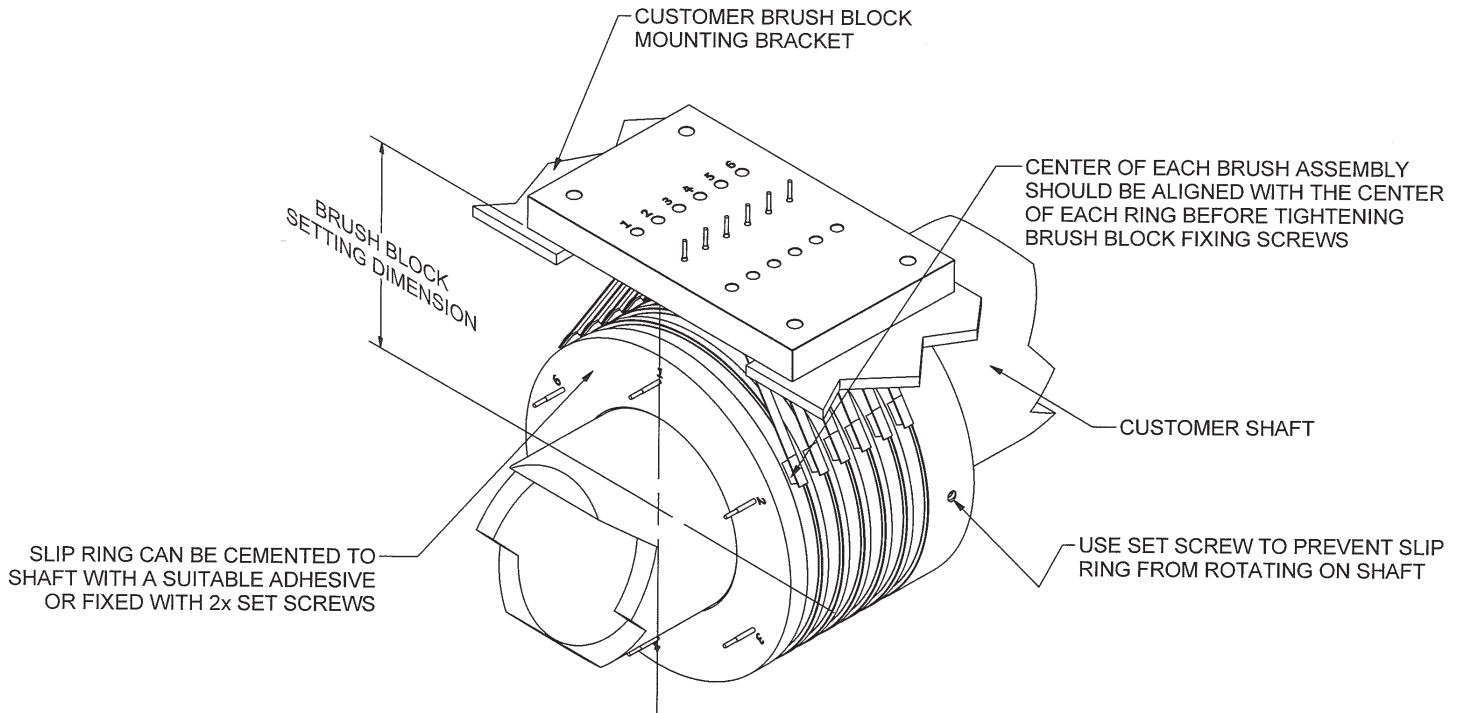


INSTALLATION GUIDE - SR001, SR002, SR005, SR006, SR007 & SR012



PROPER USE AND MOUNTING INSTRUCTIONS

1. Cement slip ring assembly onto shaft with a suitable adhesive or fix with 2x set screws.
2. Fit brush block assembly to mounting bracket/hardware with screws as required.
 - Ensure that brush block setting distance is correct.
 - Align the center of each brush with the center of each ring.
 - Brushes should not run on the slip ring barriers/insulation.
 - Tighten brush block fixing screws.
3. Ensure that terminations are correctly wired and retained as necessary.



ROTARY
SYSTEMS INC